

MICROINGREDIENT SYSTEMS

Dependable and Accurate

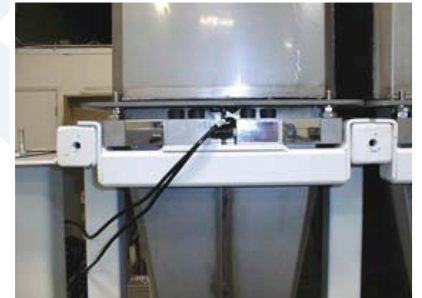
APEC Microingredient Systems are designed to achieve accurate weighing of your ingredients time after time.

Advantages

- Rectangular bins with chamfered corners means no corners for material to stick to
- A pneumatic clean out enhancement on the scale tub insures no product carry over
- The tight bin cluster takes up less valuable floor space
- Optional TSS feeders provide repeatable accuracy to 0.01 lbs.
- Polished stainless steel scale hopper for better clean out
- Test weight hangers for easy calibration

Standard Features

- Removable 6 cu. ft. capacity stainless steel bins with hinged and gasketed covers
- Stainless steel feeder screws with variable pitched flighting
- Power cords with twist lock plugs
- Control panel mounted on the frame and completely wired at the factory. Includes AC inverter, motor contactors, overload
- Tubular frame with telescoping legs
- Roll over scale tub or optional indexing scale vessel
- Compact through floor design or optional walk between bins



APEC

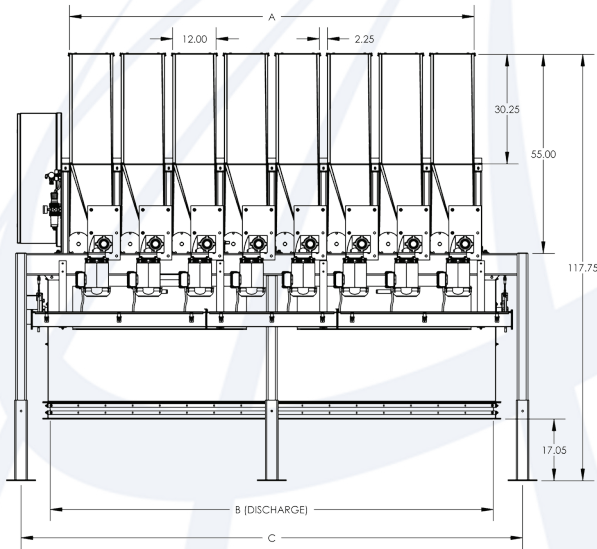
Automated Process Equipment Corporation

PROCESSING THE INGREDIENTS FOR SUCCESS

MICROINGREDIENT SPECIFICATIONS

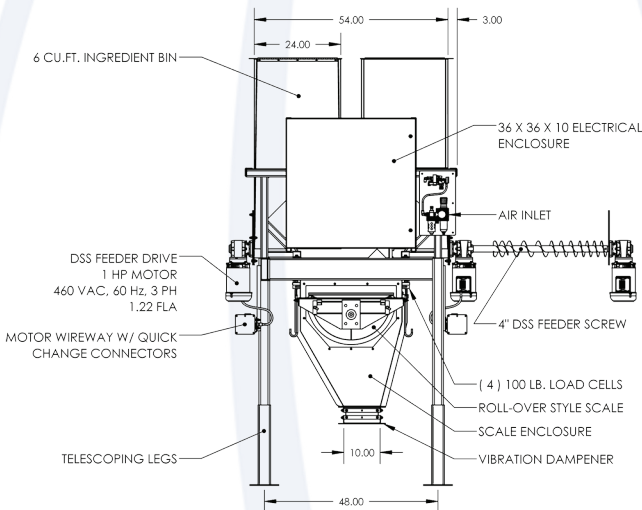
Available Options

- Bin extensions to increase capacity
- Bin inventory (bins on load cells)
- Electric bin lid locks
- 50 Hz motors
- Food grade finish
- Remote I/O
- Explosion proof motors
- Dust collection pick up point
- Feeder shut off gate
- Mechanical agitation
- Vibratory feeders
- Barcode ingredient confirmation
- Loss in Weight operation
- Various auger sizes
- Custom configurations
- Hopper style scale hopper



DIMENSIONS AND SHIPPING WEIGHT

| # of Bins | A | B | C | Weight |
|-----------|---------|---------|---------|--------|
| 6 | 40.50 | 52.25 | 67.25 | 2300 |
| (mm) | 1028.70 | 1131.95 | 1504.95 | |
| 8 | 54.75 | 66.50 | 81.50 | 2750 |
| (mm) | 1390.65 | 1493.90 | 1874.90 | |
| 10 | 69.00 | 80.75 | 95.75 | 3250 |
| (mm) | 1752.60 | 1855.85 | 2236.85 | |
| 12 | 83.25 | 95.00 | 110.00 | 3790 |
| (mm) | 2114.55 | 2217.80 | 2598.80 | |
| 14 | 97.50 | 109.25 | 124.25 | 4250 |
| (mm) | 2476.50 | 2579.75 | 2960.75 | |
| 16 | 111.75 | 123.50 | 138.50 | 4850 |
| (mm) | 2838.45 | 2941.70 | 3322.70 | |
| 18 | 126.00 | 137.75 | 152.75 | 5300 |
| (mm) | 3200.40 | 3303.65 | 3685.65 | |
| 20 | 140.25 | 152.00 | 167.00 | 5950 |
| (mm) | 3562.35 | 3665.60 | 4046.60 | |
| 22 | 154.50 | 166.25 | 181.25 | 6450 |
| (mm) | 3924.30 | 4027.55 | 4408.55 | |
| 24 | 168.75 | 180.50 | 195.50 | 7050 |
| (mm) | 4286.25 | 4389.50 | 4770.50 | |



APEC

Automated Process Equipment Corporation

1201 North Fourth Avenue
 Lake Odessa, MI 48849 USA
 Ph: +1 (616) 374-1000
 Fax: +1 (616) 374-1010
www.apecusa.com

